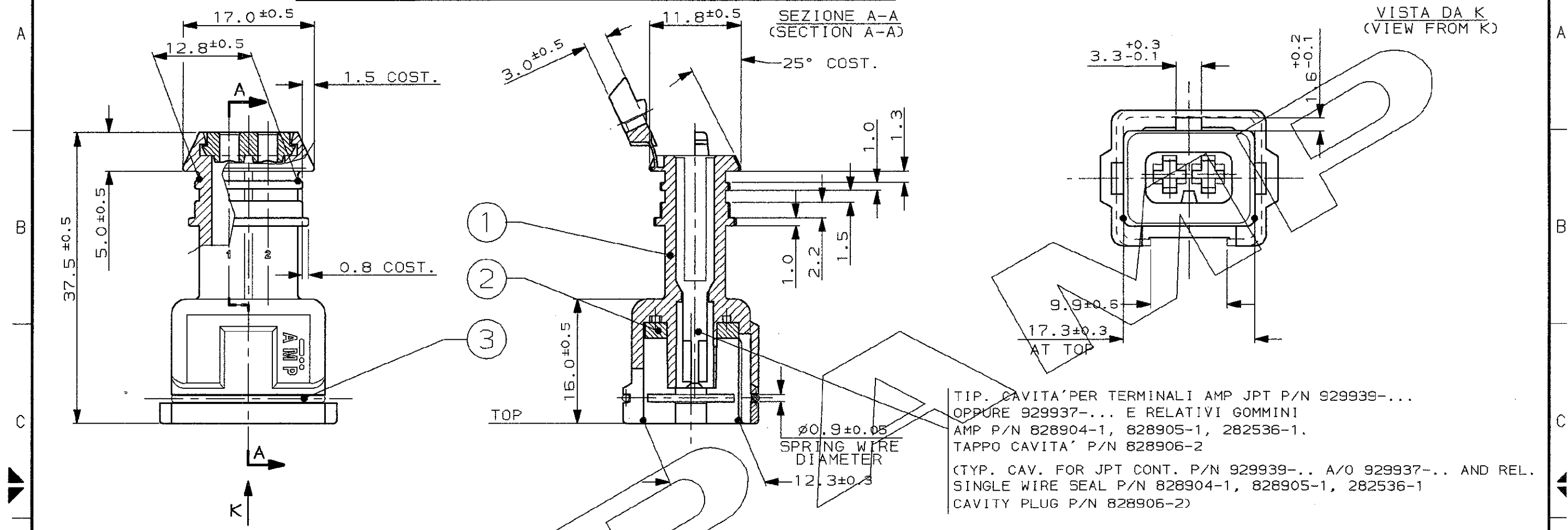


CONNETTORE TIPO B (CON MOLLA DI RITEGNO INTERNA)
CONNECTOR TYPE B (WITH INTERNAL SPRING)

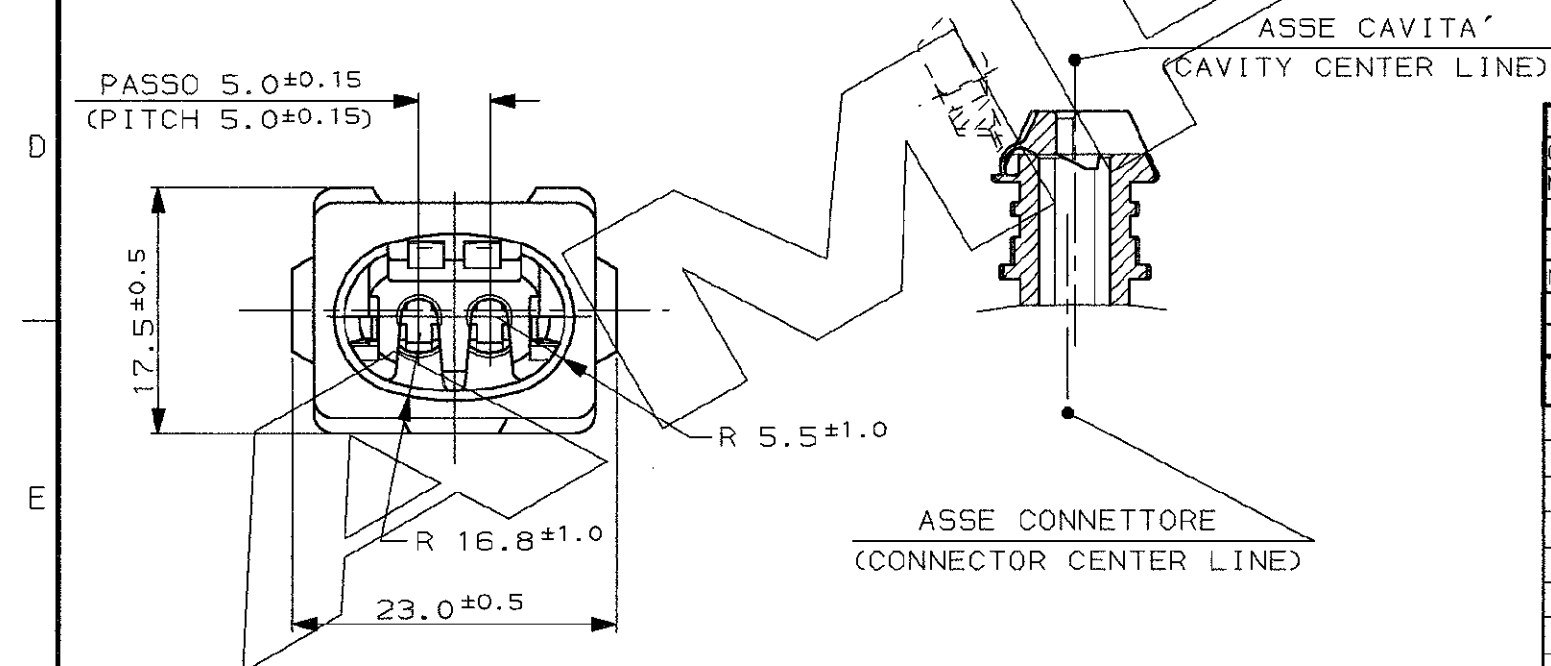
SCALA NON IMPEGNATIVA
(DO NOT SCALE)
DIMENSIONI IN mm
(DIMENSIONS IN mm)

METRIC

PROIEZIONE EUROPEA
(EUROPEAN PROJECTION)



TIP. CAVITA' PER TERMINALI AMP JPT P/N 929939-...
OPPURE 929937-... E RELATIVI GOMMINI
AMP P/N 828904-1, 828905-1, 282536-1.
TAPPO CAVITA' P/N 828906-2
(TYP. CAV. FOR JPT CONT. P/N 929939-... A/O 929937-... AND REL.
SINGLE WIRE SEAL P/N 828904-1, 828905-1, 282536-1
CAVITY PLUG P/N 828906-2)



ROSSO (RED)	282190-8				
GIALLO (YELLOW)	282190-7				
MARRONE (BROWN)	282190-6				
BLU (BLUE)	282190-5	3	//////	ACCIAIO INOX (STAINLESS STEEL)	MOLLA (SPRING)
VERDE (GREEN)	282190-4	2	NATURALE (NATURAL)	GOMMA (RUBBER)	GUARNIZIONE (RUBBER GASKET)
NATURALE (NATUR)	282190-3			PA 6.6 C.VETRO (PA 6.6 G.F.)	BLOCCHETTO (HOUSING)
GRIGIO (GREY)	282190-2	1	//////		
NERO (BLACK)	282190-1				
COLORE (COLOR)	NUMERO PART. N°	N° (ITEM)	FINITURA / COLORE (FINISH / COLOUR)	MATERIALE (MATERIAL)	DESCRIZIONE (DESCRIPTION)

CUSTOMER DWG. FOR REFERENCE ONLY
DISEGNO PER CLIENTE SOLO PER RIFERIMENTO

THIS DRAWING IS UNPUBLISHED
RELEASE FOR PUBLICATION 19

© COPYRIGHT 19 BY AMP INCORPORATED, HARRISBURG, PA. ALL INTERNATIONAL RIGHT RESERVED. AMP PRODUCTS MAY BE COVERED BY U.S. AND FOREIGN PATENT AND/OR PATENT PENDING

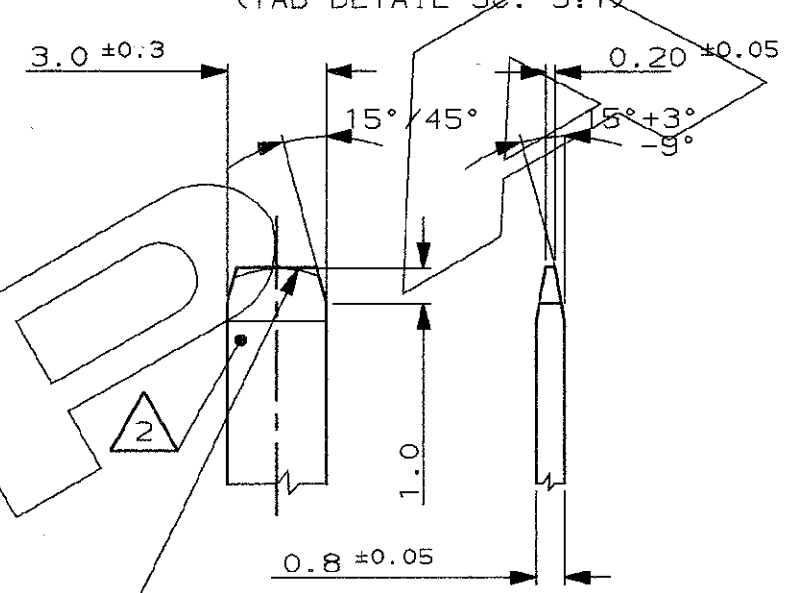
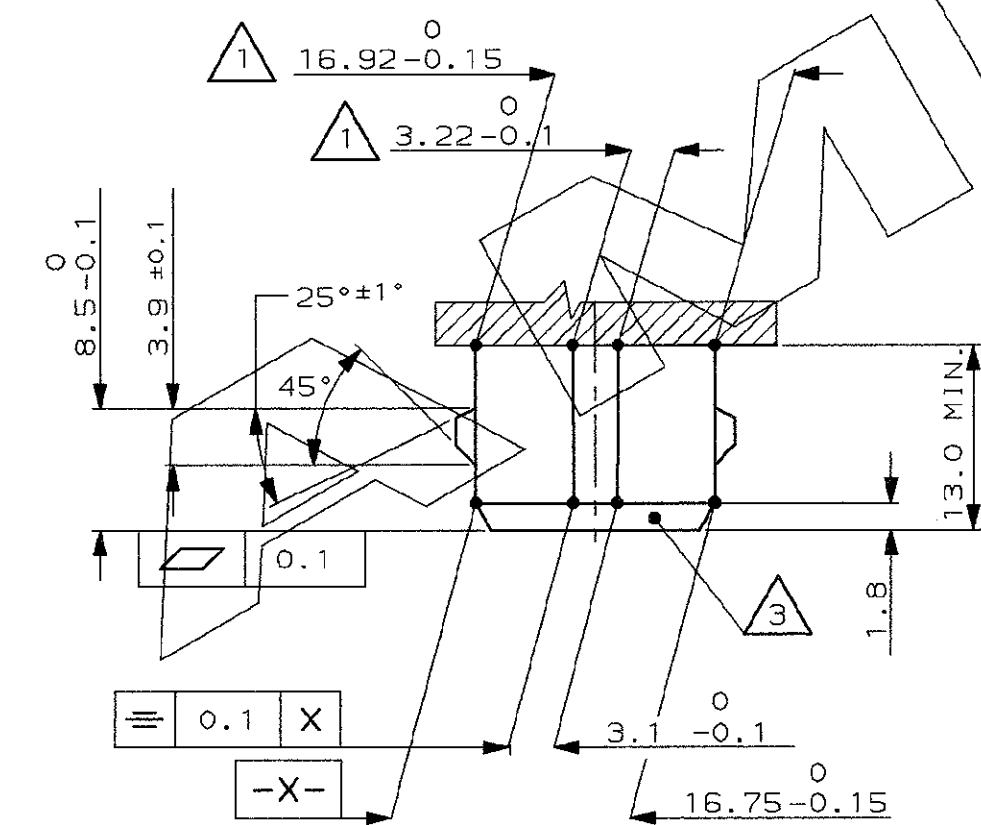
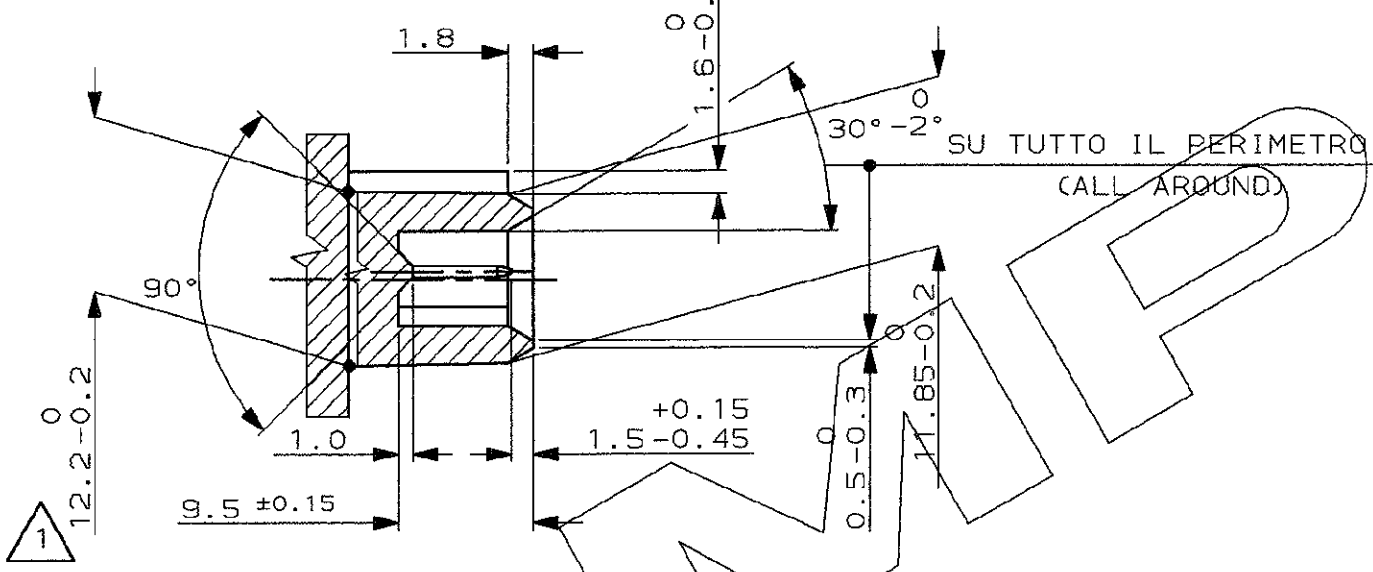
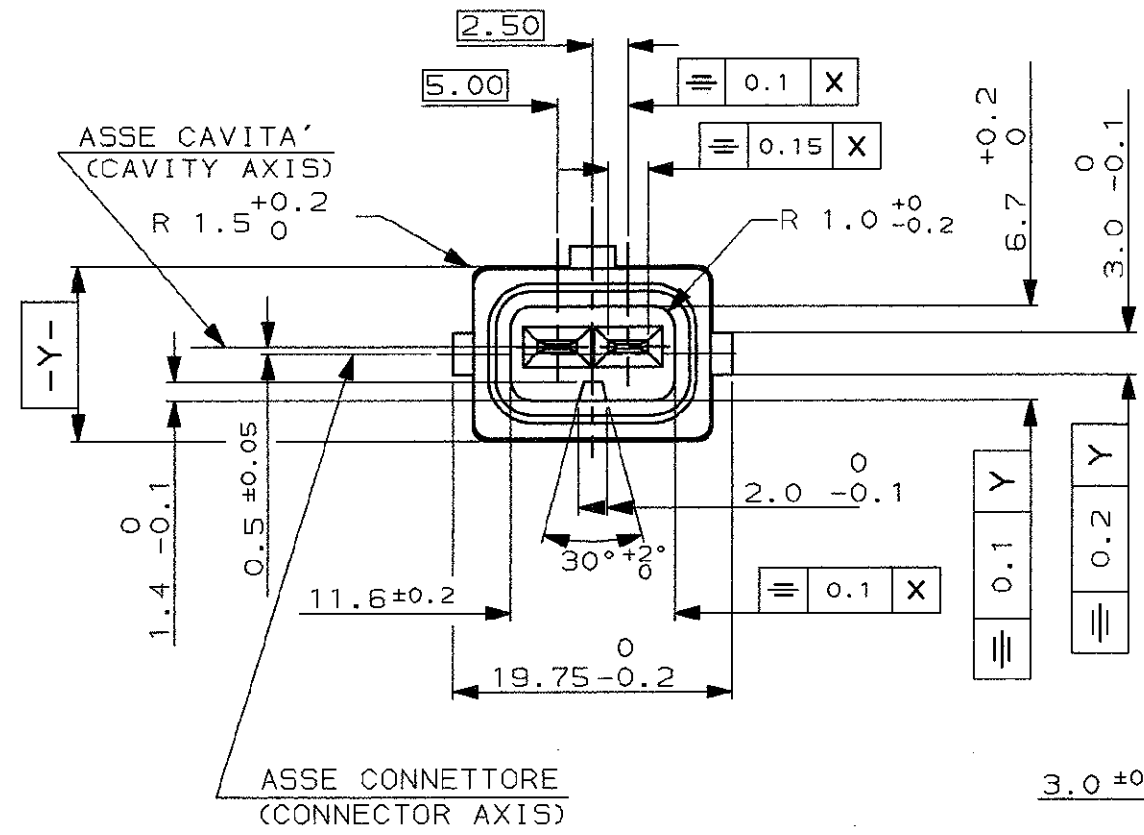
L	AGGIORNATO (REVISED) PER EC ET00-0221-96	A.F.	27-5 '96		
G	AGGIORNATO (REVISED) PER EC ET00-0305-95	R.M.	16-11 '95		
F	AGG. FOGLIO 2 (ADDED SH.2)	R.M.	3-9 '93		
E	IN PRODUZIONE (IN PRODUCTION)	R.M.	13-10 '92		
D	AGGIORNATO (REVISED)	R.M.	17-3 '92		
C	AGGIORNATO (REVISED)	R.M.	28-2 '92		
B	AGGIORNATO (REVISED)	R.M.	30-8 '91		
A	WAS P/N C-90-51265-10	C.E.	2.91		
REV. (REV. N°)	REVISIONI (REVISION RECORD)	DIS. DATA (DR. DATE)			

TOLLERANZE, SE NON DIVERSAMENTE SPECIFICATO (TOLERANCES, UNLESS OTHERWISE SPECIFIED)
DIAM. ISOLANTE (INS. DIA. RANGE) 1.5-3.0
RANGO FILO (WIRE RANGE) 0.5-2.5 mm² ***
ANGOLI (ANGLES) ± 2°
DIS. 9 NOV 90
Ennio CINI

AMP
AMP ITALIA S.p.A.
Corso F.lli Cervi, 15
COLLEGGIO (TORINO)

DESCRIZIONE (DESCRIPTION)
2 W. SPLASH PROOF CONN. ASS'Y with SECONDARY LOCK
LOC. SIZE NUMERO (DWG NO) I A3 C-282190
REV. FOGLIO (SHEET) L 1 OF 2

DISTRIBUZIONE (PRINT DIST.)



- NOTE (NOTES):
- 1 QUOTE APPLICABILI PER SFORMATURA PEZZO (RIGHT DIMENSIONS FOR EXTRACTION ITEM FROM THE MOULD)
 - 2 MATERIALE CONTATTI: LEGA DI RAME STAGNATA, ES. OTTONE STAGNATO. (TAB MATERIAL: TINNED Cu ALLOY, E.G. TINNED BRASS)
 - 3 MATERIALE BLOCCHETTO: TERMOPLASTICO CARICATO FIBRA VETRO. (HOUSING MATERIAL: THERMOPLASTIC GLASS FIBER FILLED).

FINITURA / COLORE (FINISH / COLOUR)		MATERIALE (MATERIAL)		NUMERO (PART NUMBER)	
CUSTOMER DWG. FOR REFERENCE ONLY		DISEGNO PER CLIENTE SOLO PER RIFERIMENTO		19	
THIS DRAWING IS UNPUBLISHED		RELEASE FOR PUBLICATION		19	
© COPYRIGHT 19 BY AMP INCORPORATED, HARRISBURG, PA. ALL INTERNATIONAL RIGHT RESERVED. AMP PRODUCTS MAY BE COVERED BY U.S. AND FOREIGN PATENT AND/OR PATENT PENDING					
TOLLERANZE, SE NON DIVERSAMENTE SPECIFICATO (TOLERANCES, UNLESS OTHERWISE SPECIFIED)		DIAM. ISOLANTE (INS. DIA. RANGE)	RANGO FILO (WIRE RANGE)	SCALA (SCALE)	
± 0.3		SEE SHEET 1	SEE SHEET 1	***	
ANGOLI (ANGLES) ± 2°		AMP AMP ITALIA S.p.A. Corso F.lli Cervi, 15 COLLEGNO (TORINO)			
DESCRIZIONE (DESCRIPTION)					
2 POS. SPLASH PROOF CONN. ASS'Y with SECONDARY LOCK		LOC.	SIZE	NUMERO (DWG NO)	REV.
SEE SHEET 1 OF 2		I	A3	C-282190	- 2
REV. (REV. DATE)	REVISIONI (REVISION RECORD)	DIS. DATA (DR) (DATE)	APP. (APP.)	FOGLIO (SHEET) 01 (OF) 2	

DISTRIBUZIONE (PRINT DIST.)